

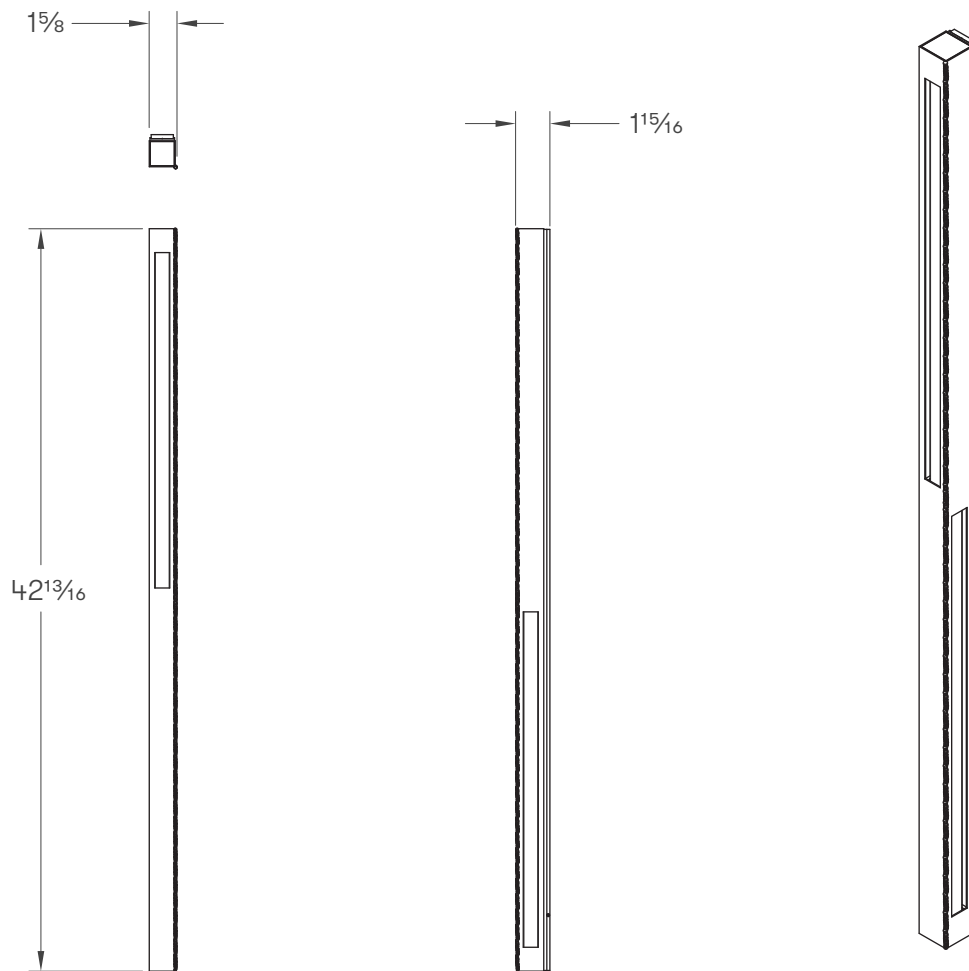
SEAM COLLECTION
STACK EXTRA LARGE WALL SCONCE



SEAM COLLECTION

ARTICOLOSTUDIOS.COM

STACK EXTRA LARGE WALL SCONCE



26V1

ABOUT SEAM

Seam honours the meeting of materials, where joins are celebrated, not concealed.

LEAD TIME

8 - 10 weeks

LIGHT SOURCE

2 x 4W LED boards
800 lumens (total)
2700K warm white
90+ CRI
Dimmable

WEIGHT

12 lb

INSTALLATION

Supplied with external driver and mounting plate (mud ring) to suit 4" x 4" square junction box.

The Seam collection offers installation flexibility — fixtures can be installed as standard or rotated 180 degrees, repositioning design details such as the stainless steel band and expressed weld.

CERTIFICATION

UL

COMPLIANCE

ADA compliant

WARRANTY

3 years

FITTING FINISHES

Brass*

*Subtle pitting and surface marks may appear near weld areas, reflecting the natural character of the fabrication process rather than imperfection.

SHADE COLOURS

Clear

