

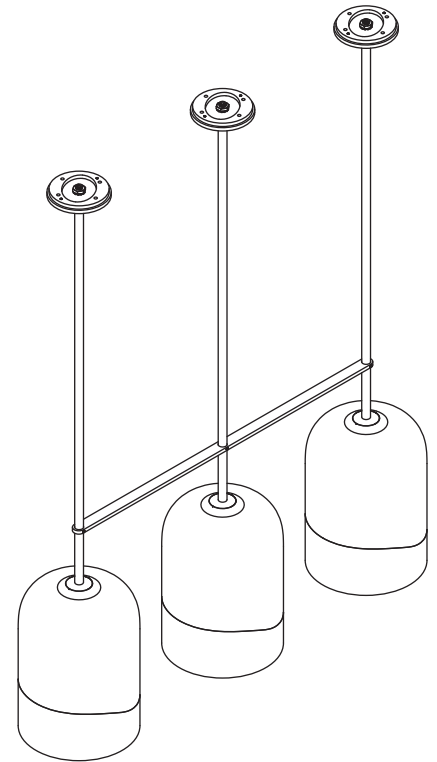
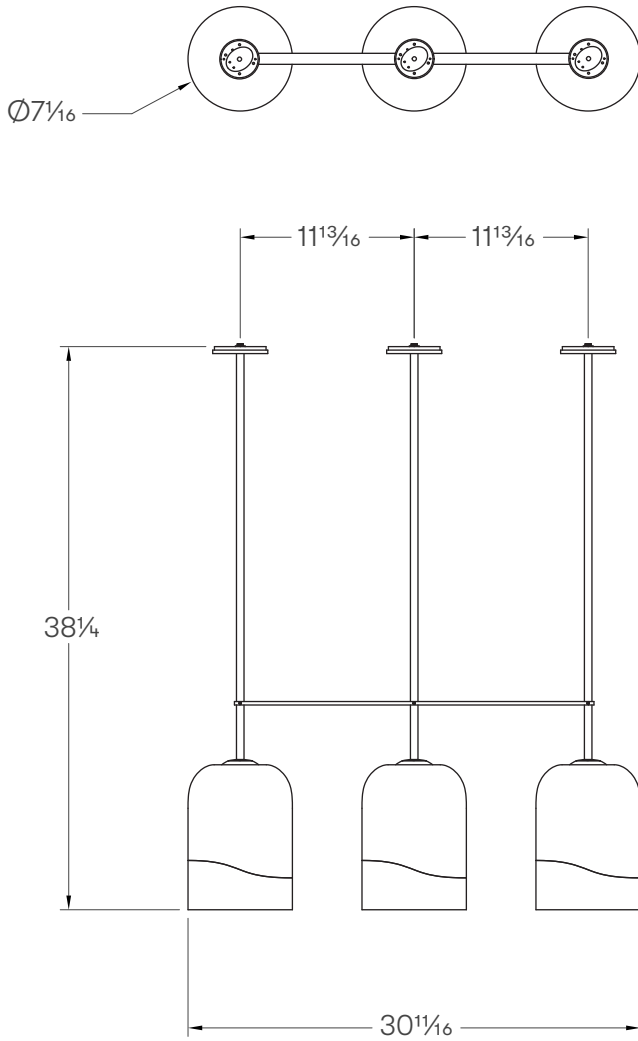
MONI COLLECTION  
LARGE TRIPLE PENDANT



# MONI COLLECTION

ARTICOLOSTUDIOS.COM

## LARGE TRIPLE PENDANT



26V1

### ABOUT MONI

Moni is defined by its fluid form created using a handcrafted artisanal technique refined over generation

### METAL FINISHES



### LEAD TIME

8 - 10 weeks

### LIGHT SOURCE

Per Fixture:  
100-120V  
4W E12 G45 LED bulb  
400 lumens  
2700K warm white  
90+ CRI  
Dimmable lamp included

### WEIGHT

20 lb

### ROD LENGTH

Rod lengths range between 15.75" (400mm) - 65" (1600mm), in increments of 3.94" (100mm).

### CUSTOMISATION

Variation to spacing bar can be specified at time of order placement

### CERTIFICATION

UL

### WARRANTY

3 years

### INSTALLATION

Supplied with external driver

### FITTING FINISHES

Brass  
Bronze\*  
Satin Nickel  
Black Electroplate  
Black Powder Coat  
White Powder Coat

\* As Bronze is a hand applied finish the depth of colour will vary

### SHADE COLOURS

Clear and White

