

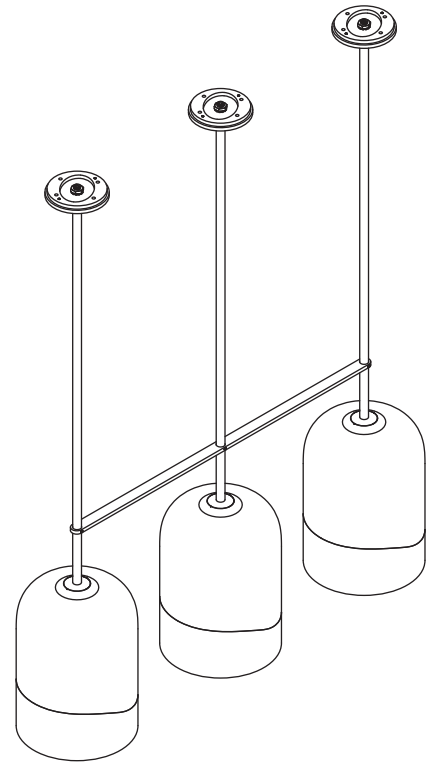
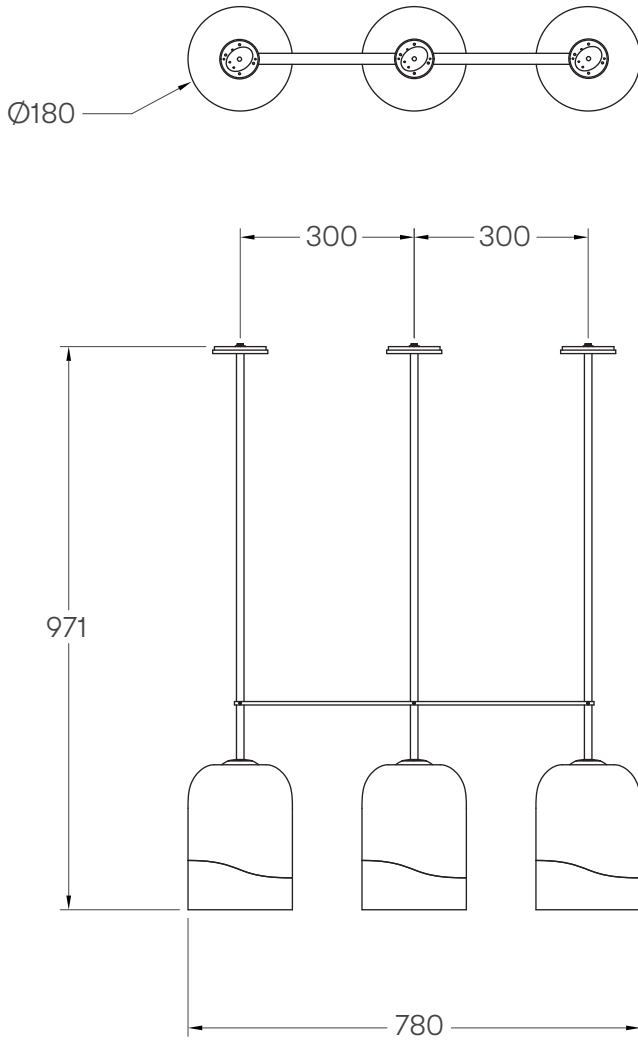
MONI COLLECTION  
LARGE TRIPLE PENDANT



# MONI COLLECTION

ARTICOLOSTUDIOS.COM

## LARGE TRIPLE PENDANT

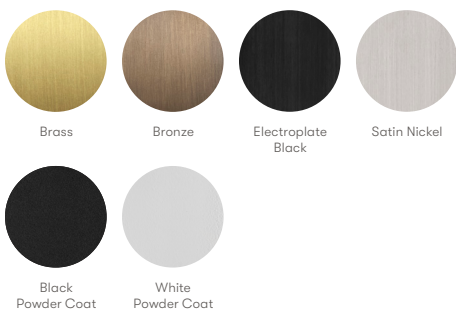


26V1

### ABOUT MONI

Moni is defined by its fluid form created using a handcrafted artisanal technique refined over generations.

### METAL FINISHES



SPECIFICATION SHEET *Australia / International*

### LEAD TIME

6 - 8 weeks

### LIGHT SOURCE

Per Fixture:  
220-240V  
4W E14 G45 LED bulb  
400 lm  
2700K warm white  
90+ CRI  
Dimmable lamp included

### WEIGHT

20 kg

### CUSTOMISATION

Variation to spacing bar can be specified at time of order placement

### INSTALLATION

Supplied with an external driver

### ROD LENGTHS

Rod lengths range between 400mm - 1600mm, in increments of 100mm.

### CERTIFICATION

CE/AU

### WARRANTY

3 year

### FITTING FINISHES

Brass  
Bronze\*  
Black Electroplate  
Satin Nickel  
White Powder Coat  
Black Powder Coat  
\* As Bronze is a hand applied finish the depth of colour will vary

### SHADE COLOURS

Clear and White

