

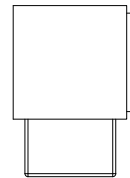
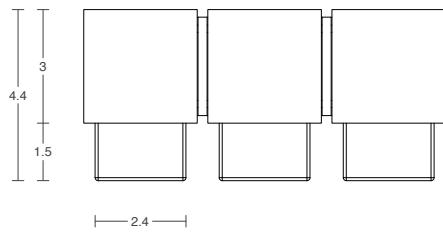
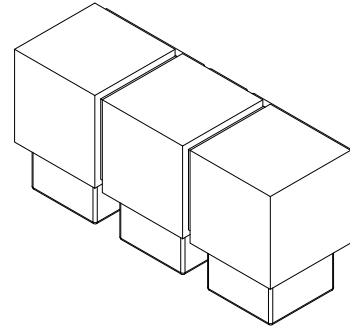
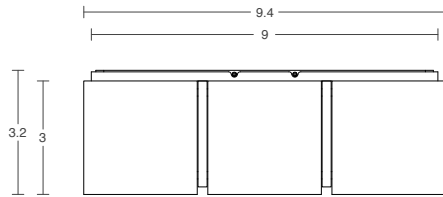
CUBO COLLECTION  
TRIPLE WALL SCONCE



# CUBO COLLECTION

ARTICOLOSTUDIOS.COM

## TRIPLE WALL SCONCE



25V1

### ABOUT CUBO

The Cubo collection is an exploration in contrasts—juxtaposing precision, machined materials with the soulful poeticism of the handcrafted, solidity with transparency, strong geometry, with textural chromatic refractions.

### LEAD TIME

6 - 8 weeks

### LIGHT SOURCE

3 x 4.2W LED board 350mA 11.5Vf,  
CC 2700K warm white  
400 lumens  
Dimmable

### INSTALLATION

Supplied with external driver

### WEIGHT

14.33 lb

### FITTING FINISHES

Brass  
Bronze\*

\* As Bronze is a hand applied finish the depth of colour will vary

### AVAILABLE SHADE COMBINATIONS

Brass with Ice Shade  
Brass with Guava Shade  
Brass with Mint Shade  
Bronze with Ice Shade  
Bronze with Guava Shade  
Bronze with Smoke Shade  
Bronze with Honey Shade

### CERTIFICATION STANDARD

UL

### WARRANTY

3 years

