

SWIVEL COLLECTION

DOUBLE PENDANT



25V1

ABOUT SWIVEL

The tacit knowledge accrued from ten years in lighting has resulted in a light that offers exceptional performance and technical intelligence without sacrificing the meticulously designed decorative fittings for which Articolo are renowned.

LEAD TIME

8 - 10 weeks

CERTIFICATION

UL

WARRANTY

3 years

ROD LENGTH

Rod lengths range between 600mm - 1200mm, in increments of 100mm.

CONFIGURATION

Swivel is available in small, medium, large and extra-large. As a modular fitting, Swivel can be configured in any combination of sizes.

FITTING FINISHES

Brass
Bronze*

* As Bronze is a hand applied finish the depth of colour will vary

INLAY

Brass Mesh
Silver Mesh
Cafe Havana Leather
Cascade Leather
Venetian Linen Leather
Driftwood Leather
Storm Leather

SHADE COLOURS

Clear

SWIVEL COLLECTION

DOUBLE PENDANT

MEDIUM & MEDIUM



LIGHT SOURCE

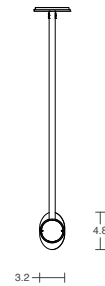
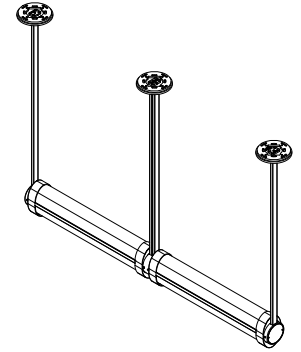
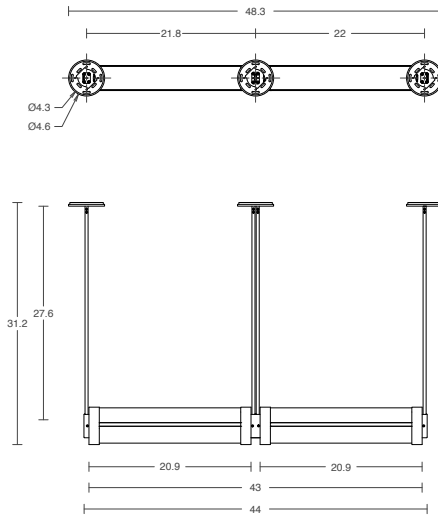
2 x 26W LED Board 24V
 2700K warm white
 5200 lumens
 Dimmable

INSTALLATION

Supplied with external driver and mounting plate to fit 4.0 square Jbox

WEIGHT

38.6lb



MEDIUM & LARGE



LIGHT SOURCE

1 x 26W LED Board 24V
 2 x 18W LED Board 24V
 2700K warm white
 6200 lumens
 Dimmable

INSTALLATION

Supplied with external driver and mounting plate to fit 4.0 square Jbox

WEIGHT

19kg

