

SWIVEL COLLECTION

DOUBLE PENDANT



25V1

ABOUT SWIVEL

The tacit knowledge accrued from ten years in lighting has resulted in a light that offers exceptional performance and technical intelligence without sacrificing the meticulously designed decorative fittings for which Articolo are renowned.

LEAD TIME

6 - 8 weeks

CERTIFICATION

CE/AU

WARRANTY

3 years

ROD LENGTH

Rod lengths range between 600mm - 1200mm, in increments of 100mm.

CONFIGURATION

Swivel is available in small, medium, large and extra-large. As a modular fitting, Swivel can be configured in any combination of sizes.

FITTING FINISHES

Brass
Bronze*

* As Bronze is a hand applied finish the depth of colour will vary

INLAY

Brass Mesh
Silver Mesh
Cafe Havana Leather
Cascade Leather
Venetian Linen Leather
Driftwood Leather
Storm Leather

SHADE COLOURS

Clear

SWIVEL COLLECTION

DOUBLE PENDANT

MEDIUM & MEDIUM



LIGHT SOURCE

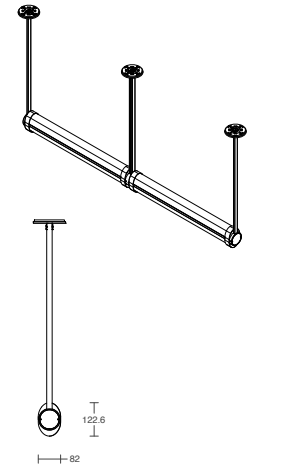
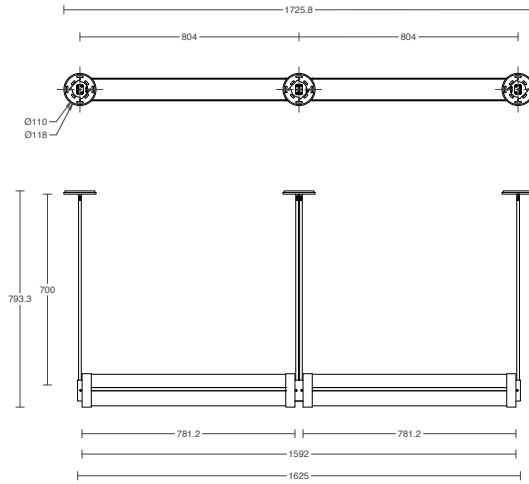
2 x 26W LED Board 24V
2700K warm white
5200 lumens
Dimmable

INSTALLATION

Supplied with external driver

WEIGHT

17.5kg



MEDIUM & LARGE



LIGHT SOURCE

1 x 26W LED Board 24V
2 x 18W LED Board 24V
2700K warm white
6200 total lumen output
Dimmable

INSTALLATION

Supplied with external driver

WEIGHT

19kg

