

CUFF COLLECTION
STOOL



26V2

ABOUT

Cuff pays homage to mid-century Italian design with considered pairing of materials, curvaceous form, refined proportions and sculptural detailing.

FINISHES

Leather with Bronze

LEAD TIME

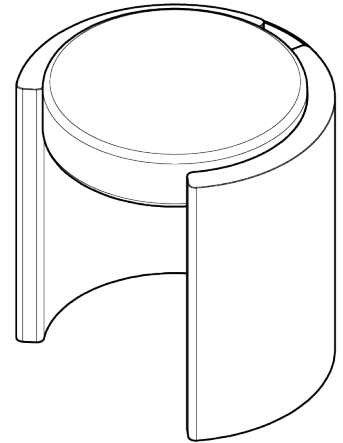
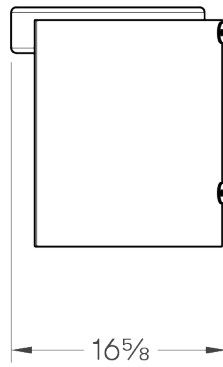
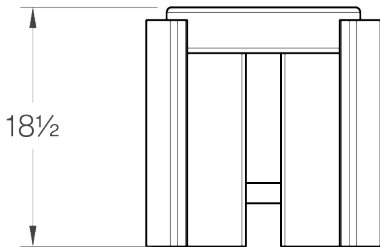
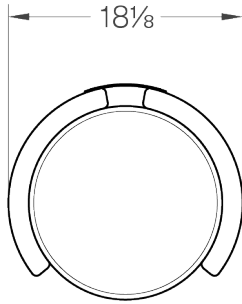
12 - 14 weeks

CARE & MAINTENANCE

Refer to Materials & Care Guide on website resources page

CUFF COLLECTION
STOOL

ARTICOLOSTUDIOS.COM



FINISHES



Pecan



Nougat



Titanium

