

FIN COLLECTION

TABLES



144
72

ABOUT FIN

An exercise in robust minimalism balanced by fine detailing. Italian timber veneer cylinders of two sizes make for streamlined functionality; slender vertical fins spaced evenly introduce refined visual and textural detail and guide the eye to the surface, where they extend just beyond the rim. The colour palette is one of simple, well-judged contrasts between light and dark – dramatically, where the fins are set against Dark Veneer; and gently, where they span Pale Veneer.

FINISHES

Wenge Veneer with Pale Veneer Fins

LEAD TIME

8 - 10 weeks

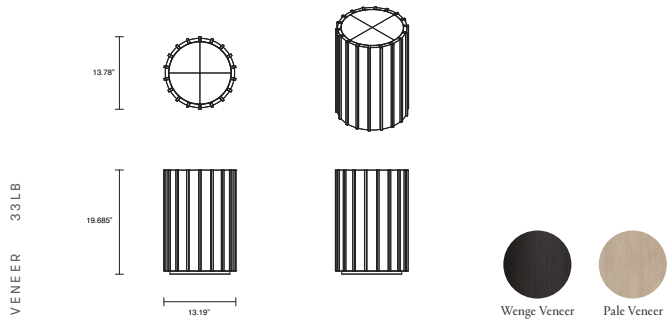
CARE & MAINTENANCE

Refer to Materials & Care Guide on website resources page

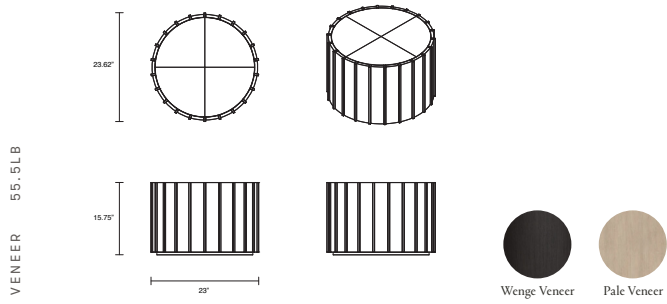
FIN COLLECTION

TABLES

TALL SIDE TABLE



SHORT SIDE TABLE



FINISHES

