

CUFF COLLECTION

TABLES



144

ABOUT CUFF

Echoing mid-century modernism, the Cuff Collection employs hollow cylinders as the foundation for pragmatic variations on a theme – a low-set coffee table with a generously broad circumference, complemented by taller, narrower side and bedside tables. All achieve elegance not only through their materiality and colour palette, but also in harmonies of positive and negative space. Two wide legs emphasise curvature and culminate in a rim that partially hedges the surface to form a modest enclosure. Each table is available in Dark Wenge Veneer and in Leather finishes of warm neutral and earthy tones. A Dark Wenge Veneer tray is available as a conveniently portable, protective accessory for leather-finished pieces; the collection also includes a second shelf for side and bedside tables.

FINISHES

Elmo Soft Leather with Wenge Veneer

LEAD TIME

8 - 10 weeks

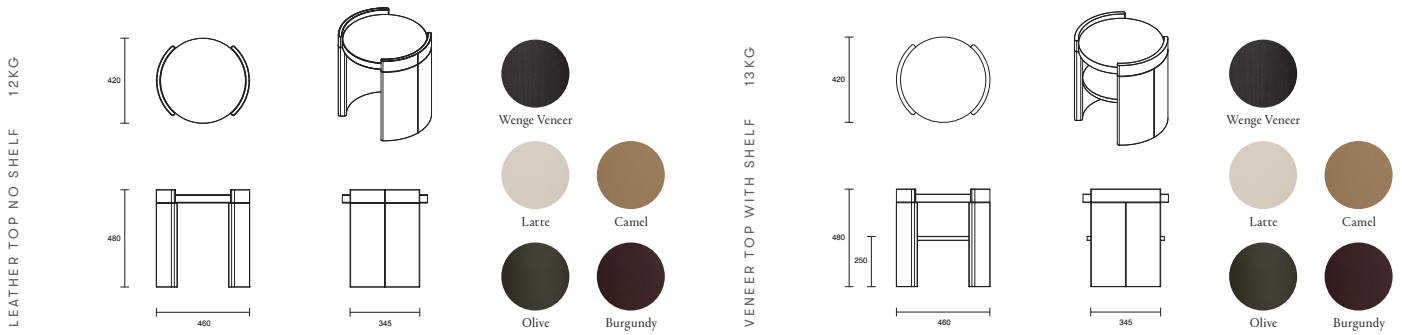
CARE & MAINTENANCE

Refer to Materials & Care Guide on website resources page

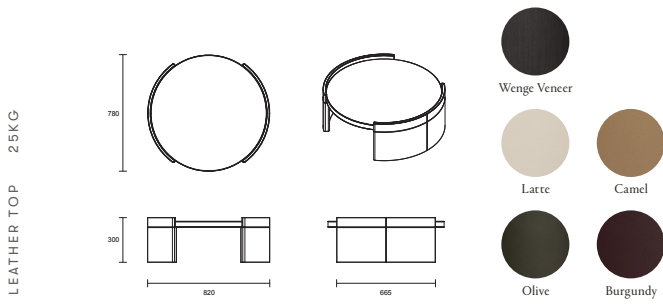
CUFF COLLECTION

TABLES

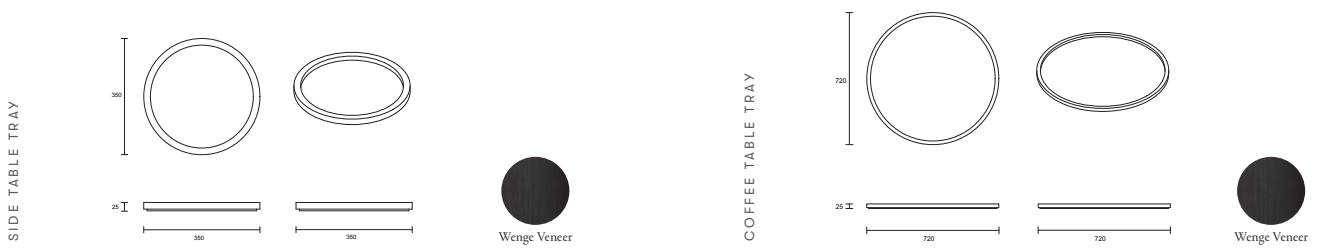
SIDE TABLES



COFFEE TABLE



ACCESSORIES



FINISHES

