

24V2

**ABOUT 12:40**

12:40 is a harmonious fusion of architectural design and lighting innovation. Unique to this collection is the ability to expertly tailor the finish of the 12:40 shade to match the wall finish creating a seamless sculptural element that blurs the line between art and ambient lighting.

With a range of bespoke applied finishes available, as well as travertine, alabaster, cast glass and exquisite Italian timber veneers, the 12:40 sconce is a symbol of refined architectural elegance.

**LEAD TIME**

8 - 10 weeks

**LIGHT SOURCE**

**Standard 2700k LED Board**

26W LED board

Single Channel

2700K warm white

3000 lumens

Dimmable

**Tuneable White LED Board**

26W 700mA LED board

1800K candle light

4000K cool white

3000 lumens

Dimmable

\* Light source option to be specified upon order placement

**INSTALLATION**

Supplied with external driver and mounting plate to fit 4.0 square Jbox

**WEIGHT**

18 lb

**FITTING FINISHES**

Brass

Mid Bronze

Satin Nickel

Black Electroplate

**SHADE COLOURS**

Travertine

Pale Veneer Brescia Super Matte

Dark Veneer Portofino Super Matte

Polished Plaster Natural White

Pressed Cement Charcoal

Pressed Cement Off White

Blank (to be custom finished on-site)

**FITTING TYPE**

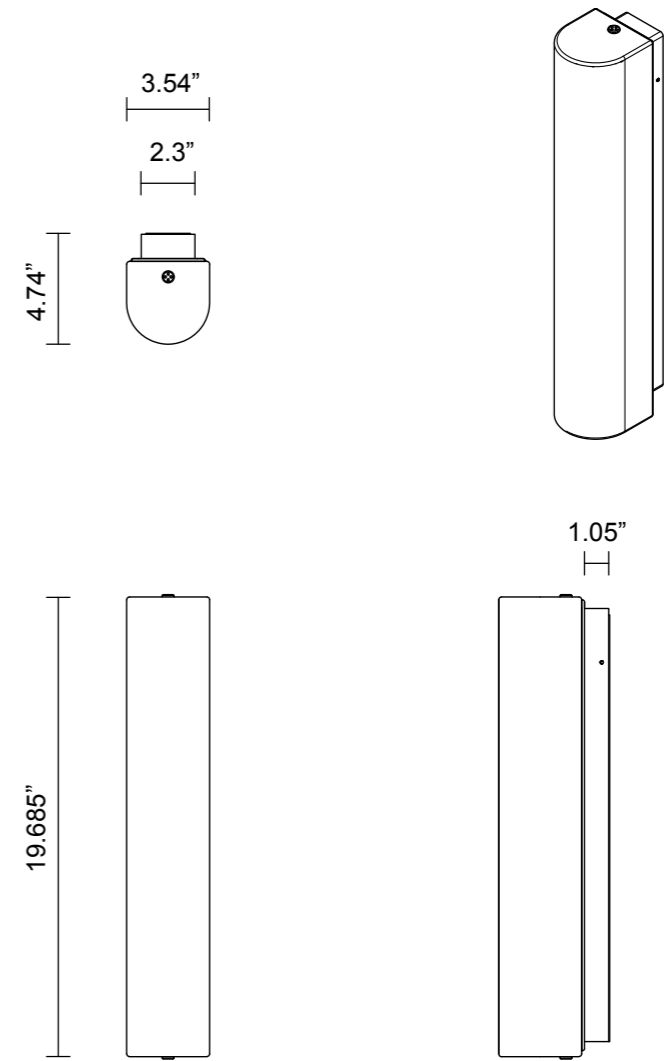
Backward-Emitting

**CERTIFICATION STANDARD**

UL

**WARRANTY**

3 years



24V2

**ABOUT 12:40**

12:40 is a harmonious fusion of architectural design and lighting innovation. Unique to this collection is the ability to expertly tailor the finish of the 12:40 shade to match the wall finish creating a seamless sculptural element that blurs the line between art and ambient lighting.

With a range of bespoke applied finishes available, as well as travertine, alabaster, cast glass and exquisite Italian timber veneers, the 12:40 sconce is a symbol of refined architectural elegance.

**LEAD TIME**

8 - 10 weeks

**LIGHT SOURCE**

**Standard 2700k LED Board**  
22W LED board  
Single Channel  
2700K warm white  
3000 lumens  
Dimmable

**Tunable White LED Board**  
22W 700mA LED board  
1800K candle light  
4000K cool white  
3000 lumens  
Dimmable

\* Light source option to be specified upon order placement

**INSTALLATION**

Supplied with external driver and mounting plate to fit 4.0 square Jbox

**WEIGHT**

18 lb

**FITTING FINISHES**

Brass  
Mid Bronze  
Satin Nickel  
Black Electroplate

**SHADE COLOURS**

Alabaster  
Cast Glass

**FITTING TYPE**

Forward-Emitting

**CERTIFICATION STANDARD**

UL

**WARRANTY**

3 years