

24V/4

ABOUT 12:40

12:40 is a harmonious fusion of architectural design and lighting innovation. Unique to this collection is the ability to expertly tailor the finish of the 12:40 shade to match the wall finish creating a seamless sculptural element that blurs the line between art and ambient lighting.

With a range of bespoke applied finishes available, as well as travertine, alabaster, cast glass and exquisite Italian timber veneers, the 12:40 sconce is a symbol of refined architectural elegance.

LEAD TIME

8 - 10 weeks

LIGHT SOURCE

Standard 2700k LED Board

26W LED board
Single Channel
2700K warm white
3000 lumens
Dimmable

Tuneable White LED Board

26W 700mA LED board
1800K candle light
4000K cool white
3000 lumens
Dimmable

* Light source option to be specified upon order placement

INSTALLATION

Supplied with external driver and mounting plate to fit 4.0 square Jbox

WEIGHT

18 lb

FITTING FINISHES

Brass
Bronze*
Satin Nickel
Black Electroplate

*As Bronze is a hand applied finish, the depth of colour will vary

SHADE COLOURS

Travertine
Pale Veneer Brescia Super Matte
Dark Veneer Portofino Super Matte
Blank (to be custom finished on-site)

FITTING TYPE

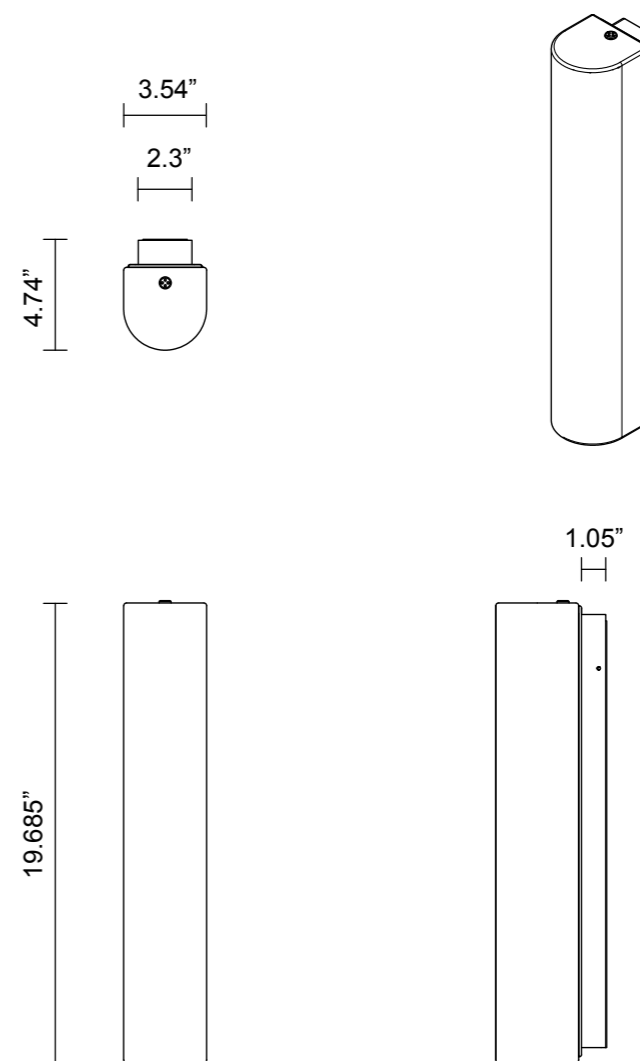
Backward-Emitting

CERTIFICATION STANDARD

UL

WARRANTY

3 years



24V3

ABOUT 12:40

12:40 is a harmonious fusion of architectural design and lighting innovation. Unique to this collection is the ability to expertly tailor the finish of the 12:40 shade to match the wall finish creating a seamless sculptural element that blurs the line between art and ambient lighting.

With a range of bespoke applied finishes available, as well as travertine, alabaster, cast glass and exquisite Italian timber veneers, the 12:40 sconce is a symbol of refined architectural elegance.

LEAD TIME

8 - 10 weeks

LIGHT SOURCE

Standard 2700k LED Board
22W LED board
Single Channel
2700K warm white
3000 lumens
Dimmable

Tunable White LED Board
22W 700mA LED board
1800K candle light
4000K cool white
3000 lumens
Dimmable

* Light source option to be specified upon order placement

INSTALLATION

Supplied with external driver and mounting plate to fit 4.0 square Jbox

WEIGHT

18 lb

FITTING FINISHES

Brass
Bronze*
Satin Nickel
Black Electroplate

*As Bronze is a hand applied finish, the depth of colour will vary

SHADE COLOURS

Alabaster
Cast Glass

FITTING TYPE

Forward-Emitting

CERTIFICATION STANDARD

UL

WARRANTY

3 years