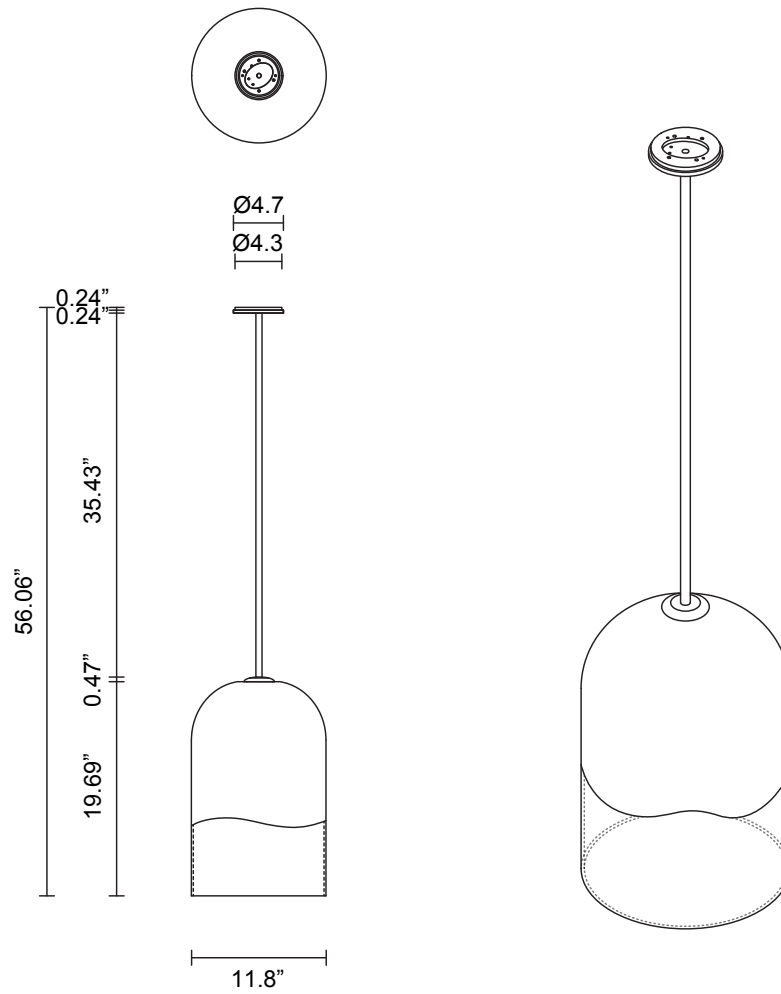


MONI COLLECTION  
EXTRA LARGE PENDANT



MONI COLLECTION  
EXTRA LARGE PENDANT

ARTICOLOSTUDIOS.COM



23V2

**ABOUT MONI**

Moni is defined by its fluid form created using a handcrafted artisanal technique refined over generations.

**LEAD TIME**

8 - 10 weeks

**LIGHT SOURCE**

120V E26 9W LED  
2700k warm white  
800 lumens  
Dimmable  
Lamp included

**INSTALLATION**

Supplied with mounting plate to fit  
4.0 square Jbox

**ROD LENGTH**

Rod lengths range between 15.75"  
(400mm) - 63" (1600mm), in  
increments of 3.94" (100mm).

**WEIGHT**

17.6 lb

**FITTING FINISHES**

Brass  
Mid Bronze  
Satin Nickel  
Black Electroplate  
White Powder Coat  
Graphite Powder Coat

**SHADE COLOURS**

Clear and White

**CERTIFICATION STANDARD**

UL

**WARRANTY**

3 years

