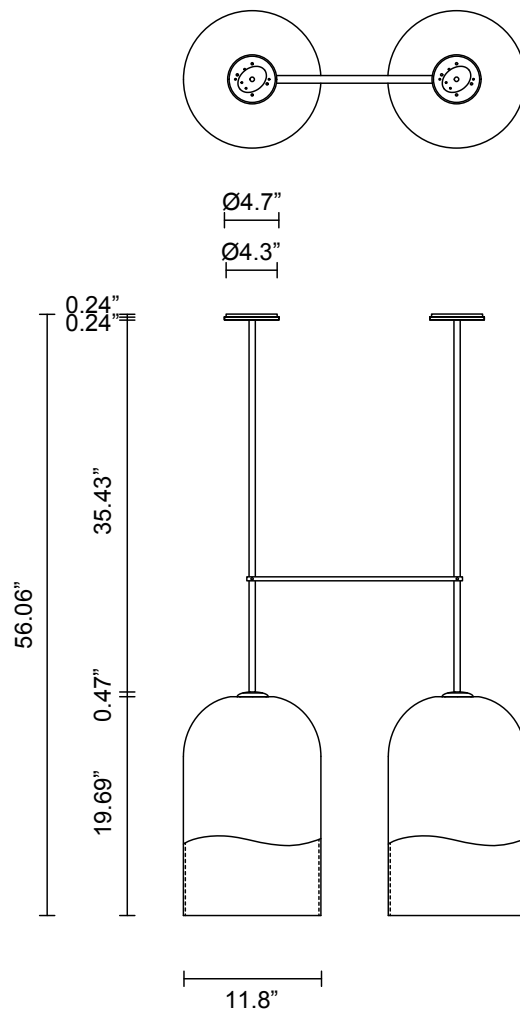


MONI COLLECTION
EXTRA LARGE DOUBLE PENDANT



MONI COLLECTION
EXTRA LARGE DOUBLE PENDANT

ARTICOLOSTUDIOS.COM



24V1

ABOUT MONI

Moni is defined by its fluid form created using a handcrafted artisanal technique refined over generations.

LEAD TIME

8 - 10 weeks

LIGHT SOURCE

2 x 120V E26 9W LED
2700k warm white
1600 total lumen output
Dimmable
Lamps included

INSTALLATION

Supplied with mounting plate to fit
4.0 square Jbox

ROD LENGTH

Rod lengths range between $15.75''$
(400mm) - $63''$ (1600mm), in
increments of $3.94''$ (100mm).

CUSTOMISATION

Variations to spacing bar can be
specified at time of order placement.

WEIGHT

37.4 lb

FITTING FINISHES

Brass
Bronze*
Satin Nickel
Black Electroplate
White Powder Coat
Black Powder Coat

*As Bronze is a hand applied finish,
the depth of colour will vary

SHADE COLOURS

Clear and White

CERTIFICATION STANDARD

UL

WARRANTY

3 years

