

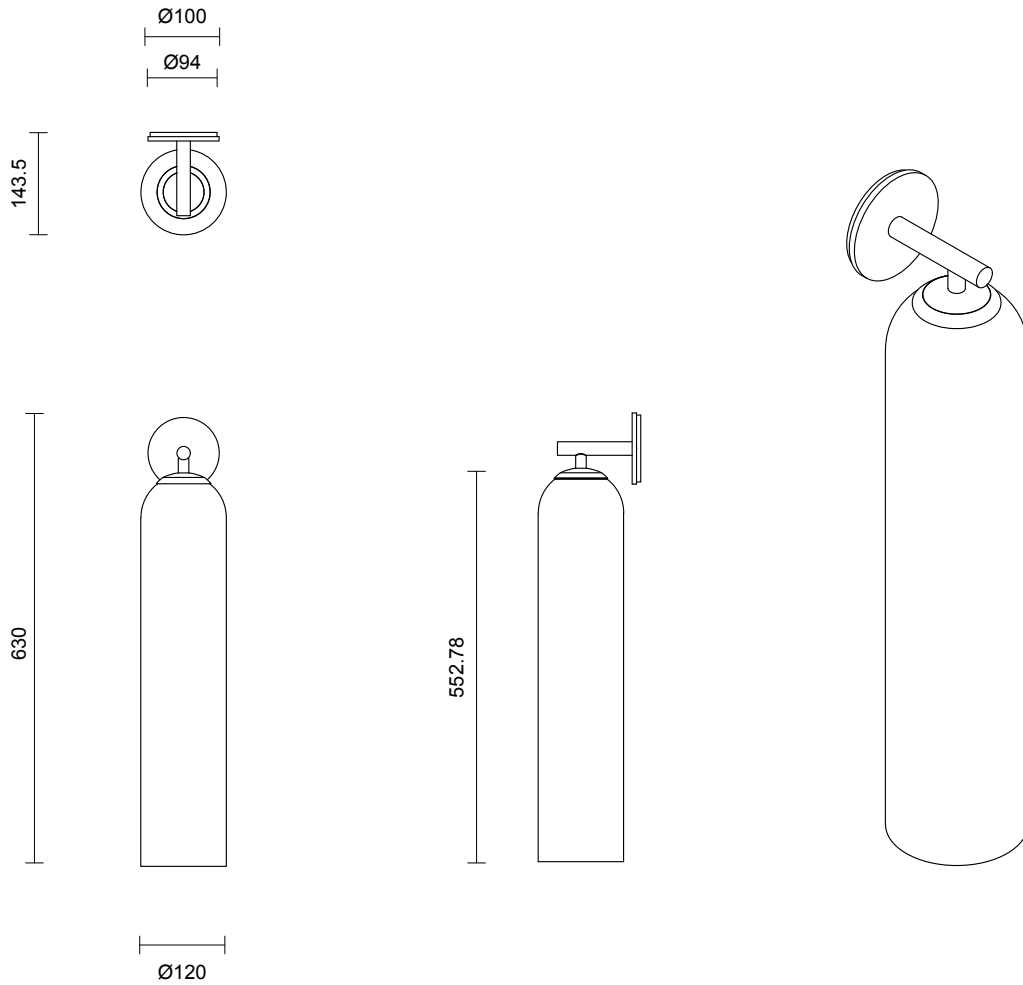
FLOAT COLLECTION
EXTERIOR HOVER TALL WALL SCONCE



FLOAT COLLECTION

EXTERIOR HOVER TALL WALL SCONCE

ARTICOLOSTUDIOS.COM



24V/2

ABOUT FLOAT

Float evokes an inherent sense of refinement through its design cues of a bygone era.

LEAD TIME

6 - 8 weeks

LIGHT SOURCE

12V 6W Constant Current LED Board,
500mA
2700K warm white
400 lumens
Dimmable

INSTALLATION

Supplied with an external driver

WEIGHT

3kg

IP RATING

IP65

CERTIFICATION

CE/AU

WARRANTY

3 years

FITTING FINISHES

Anodised Black

SHADE COLOURS

Snow
Smoke
Grey
Clear



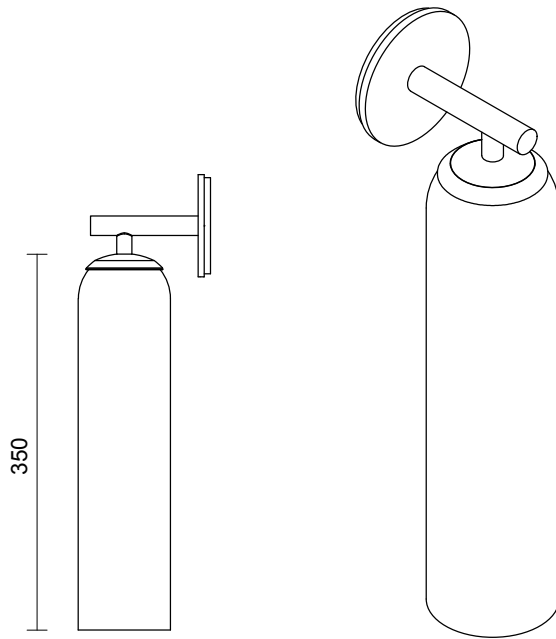
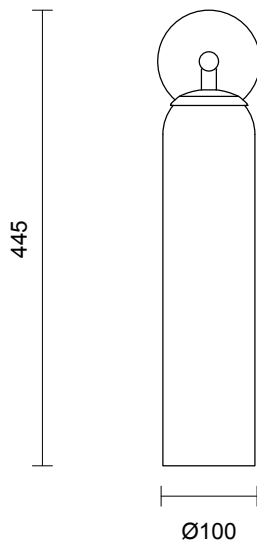
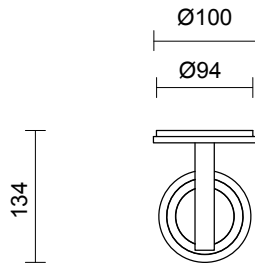
FLOAT COLLECTION
EXTERIOR HOVER SHORT WALL SCNCE



FLOAT COLLECTION

ARTICOLOSTUDIOS.COM

EXTERIOR HOVER SHORT WALL SCONCE



24V2

ABOUT FLOAT

Float evokes an inherent sense of refinement through its design cues of a bygone era.

LEAD TIME

6 - 8 weeks

LIGHT SOURCE

12V 6W Constant Current LED Board,
500mA
2700K warm white
400 lumens
Dimmable

INSTALLATION

Supplied with an external driver

WEIGHT

2kg

IP RATING

IP65

CERTIFICATION

CE/AU

WARRANTY

3 years

FITTING FINISHES

Anodised Black

SHADE COLOURS

Snow
Smoke

