

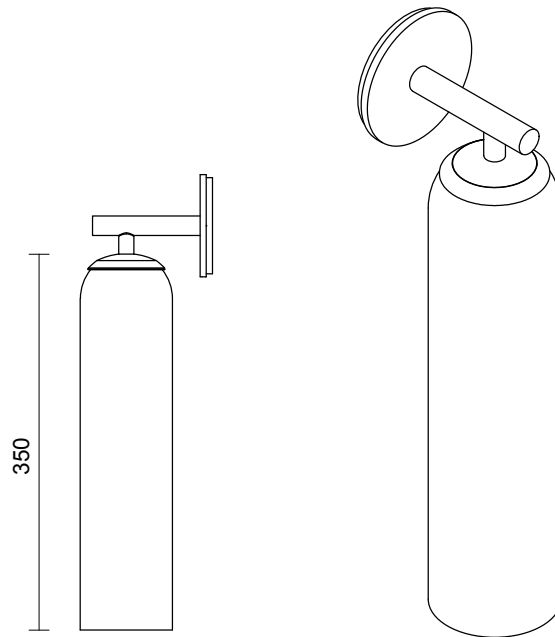
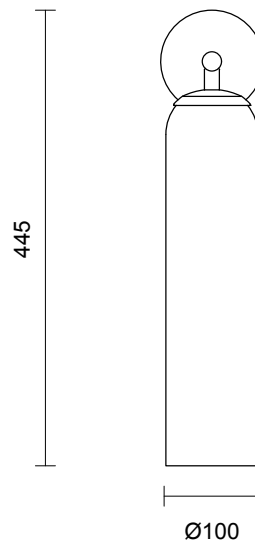
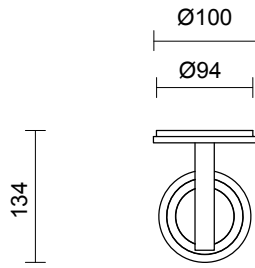
FLOAT COLLECTION
EXTERIOR HOVER SHORT WALL SCONCE



FLOAT COLLECTION

ARTICOLOSTUDIOS.COM

EXTERIOR HOVER SHORT WALL SCONCE



24V/2

ABOUT FLOAT

Float evokes an inherent sense of refinement through its design cues of a bygone era.

LEAD TIME

6 - 8 weeks

LIGHT SOURCE

12V 6W Constant Current LED Board,
500mA
2700K warm white
400 lumens
Dimmable

INSTALLATION

Supplied with an external driver

WEIGHT

2kg

IP RATING

IP65

CERTIFICATION

CE/AU

WARRANTY

3 years

FITTING FINISHES

Anodised Black

SHADE COLOURS

Snow
Smoke

