

# SLAB COLLECTION

PENDANT

SPECIFICATION SHEET

NORTH AMERICA



ARTICOLO

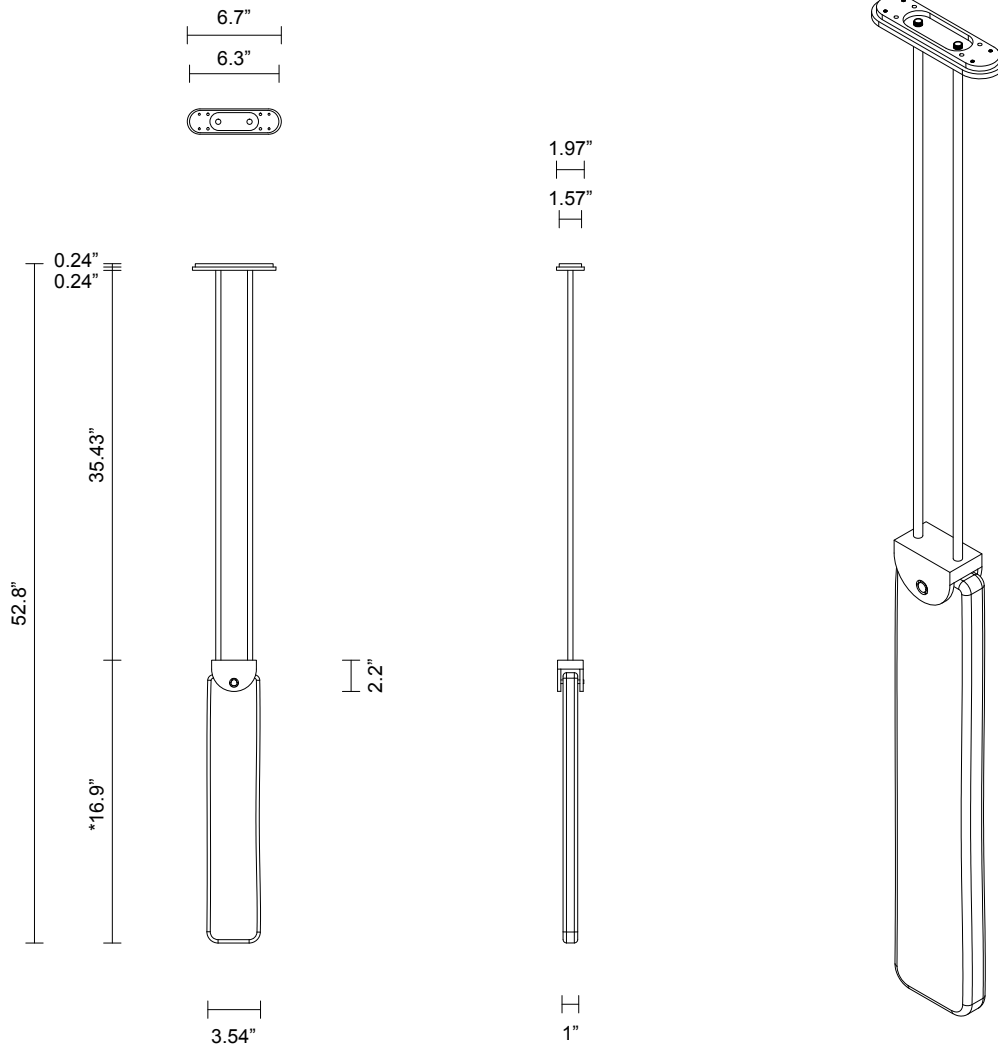
# SLAB COLLECTION

PENDANT

SPECIFICATION SHEET

NORTH AMERICA

SL\_P\_UL\_21V8



## ABOUT SLAB

The Slab Collection is breathtaking sculptural art forms of wall and ceiling jewellery. Jewel tones of colour suspended in solid glass sculptural form. Echanting artisanal jewellery'esque sophistication.

## \* PLEASE NOTE

Shade dimensions inclusive of overall height may vary marginally due to the nature of mouth blown glass.

## LEAD TIME

8 - 10 weeks

## LIGHT SOURCE

4.25W CC LED Board 0.5A  
2700k warm white  
400 lumens  
Dimmable

## INSTALLATION

Supplied with external driver and mounting plate to fit 4.0/3.5 Jbox

## ROD LENGTH

Rod lengths range between 23.6" (600mm) - 51.2" (1300mm), in increments of 3.94" (100mm).

## WEIGHT

11.5 lb

## FITTING FINISHES

Brass  
Mid Bronze  
Satin Nickel  
Black Electroplate

## SHADE COLOURS

Fizi  
Grey  
Drunken Emerald  
Tea  
Abyss

## CERTIFICATION

US/ETL/CA

## WARRANTY

3 years