

SLAB COLLECTION

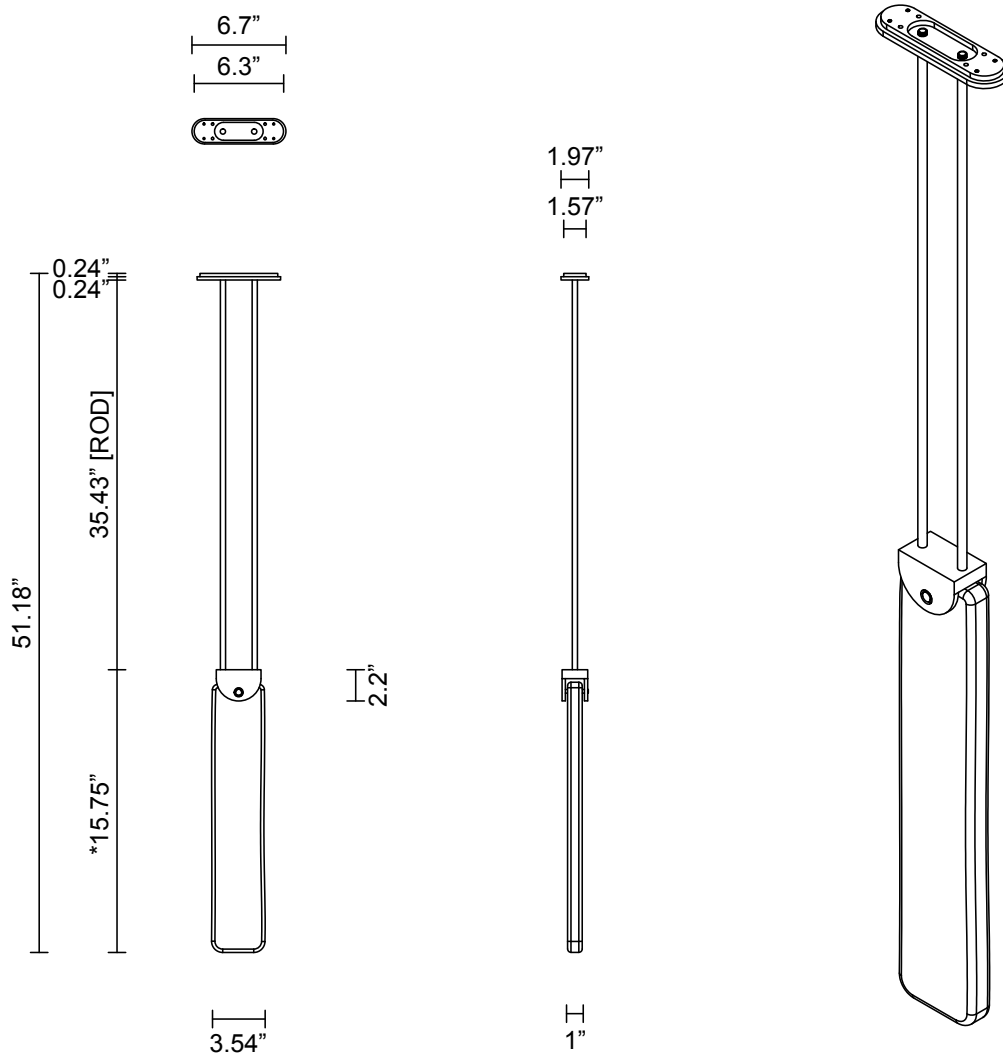
PENDANT



SLAB COLLECTION

ARTICOLOSTUDIOS.COM

PENDANT



25V2

ABOUT SLAB

Slab reflects sculptural art forms of wall and ceiling jewellery, with its jewel tone colours elegantly suspended in a solid glass sculptural form.

LEAD TIME

8 - 10 weeks

LIGHT SOURCE

4.25W CC LED Board 0.5A
2700k warm white
400 lumens
Dimmable

INSTALLATION

Supplied with external driver and mounting plate to fit 4.0 square Jbox

ROD LENGTH

Rod lengths range between 23.6" (600mm) - 47.25" (1200mm), in increments of 3.94" (100mm)

WEIGHT

11.5 lb

CERTIFICATION STANDARD

UL

WARRANTY

3 years

FITTING FINISH

Brass
Bronze*
Satin Nickel
Black Electroplate

*As Bronze is a hand applied finish, the depth of colour will vary

SHADE COLOURS

Fizi
Grey
Drunken Emerald
Tea
Abys

*Please note: Shade dimensions inclusive of overall height may vary marginally due to the nature of mouth blown glass.

