

SLAB COLLECTION

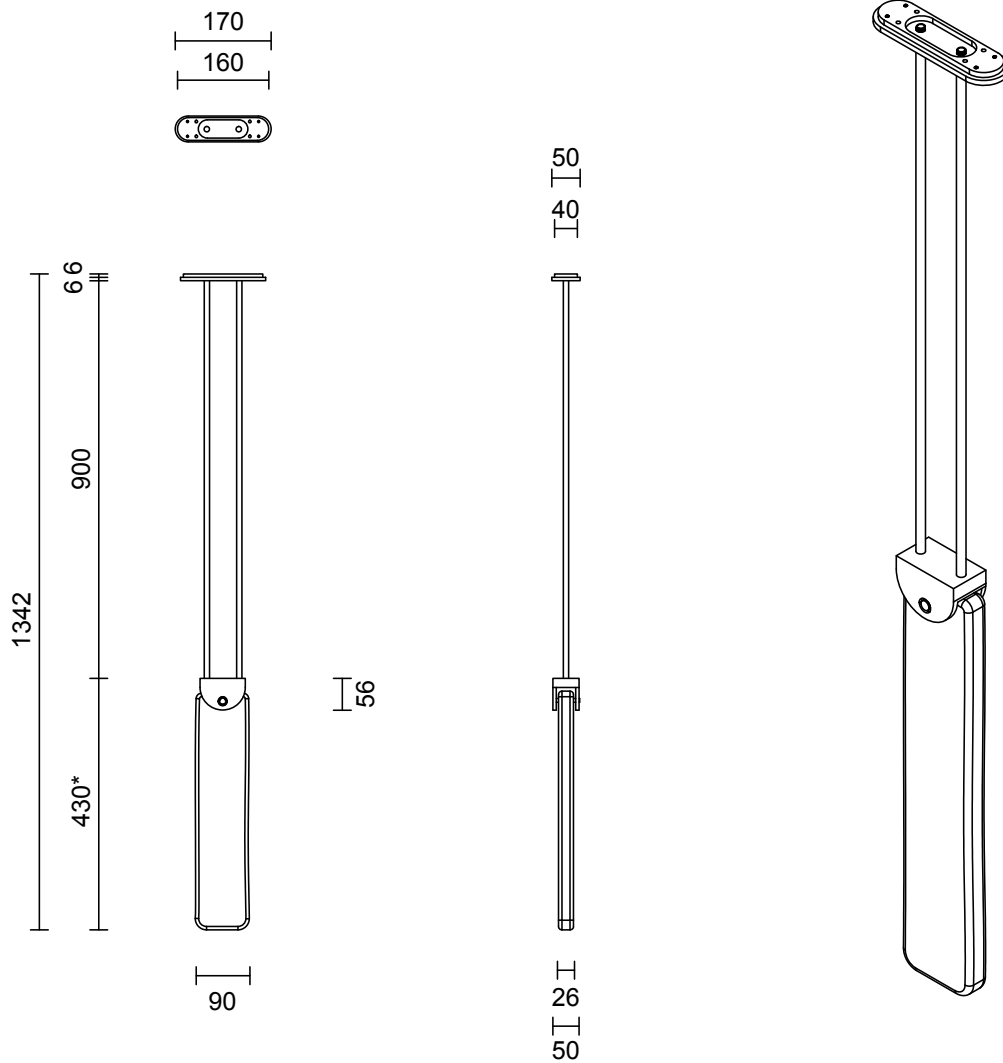
PENDANT



SLAB COLLECTION

ARTICOLOSTUDIOS.COM

PENDANT



24V1

ABOUT SLAB

Slab reflects sculptural art forms of wall and ceiling jewellery, with its jewel tone colours elegantly suspended in a solid glass sculptural form.

LEAD TIME

6 - 8 weeks

LIGHT SOURCE

4.25W CC LED Board 0.5A
2700k warm white
400 lumens
Dimmable

INSTALLATION

Supplied with external driver

ROD LENGTH

Rod lengths range between 600mm - 1200mm, in increments of 100mm.

WEIGHT

5kg

CERTIFICATION

CE/AU

WARRANTY

3 years

FITTING FINISH

Brass
Bronze*
Satin Nickel
Black Electroplate

* As Bronze is a hand applied finish the depth of colour will vary

SHADE COLOURS

Fizi
Grey
Drunken Emerald
Tea
Abyss

*Please note: Shade dimensions inclusive of overall height may vary marginally due to the nature of mouth blown glass.

