

# SLAB COLLECTION

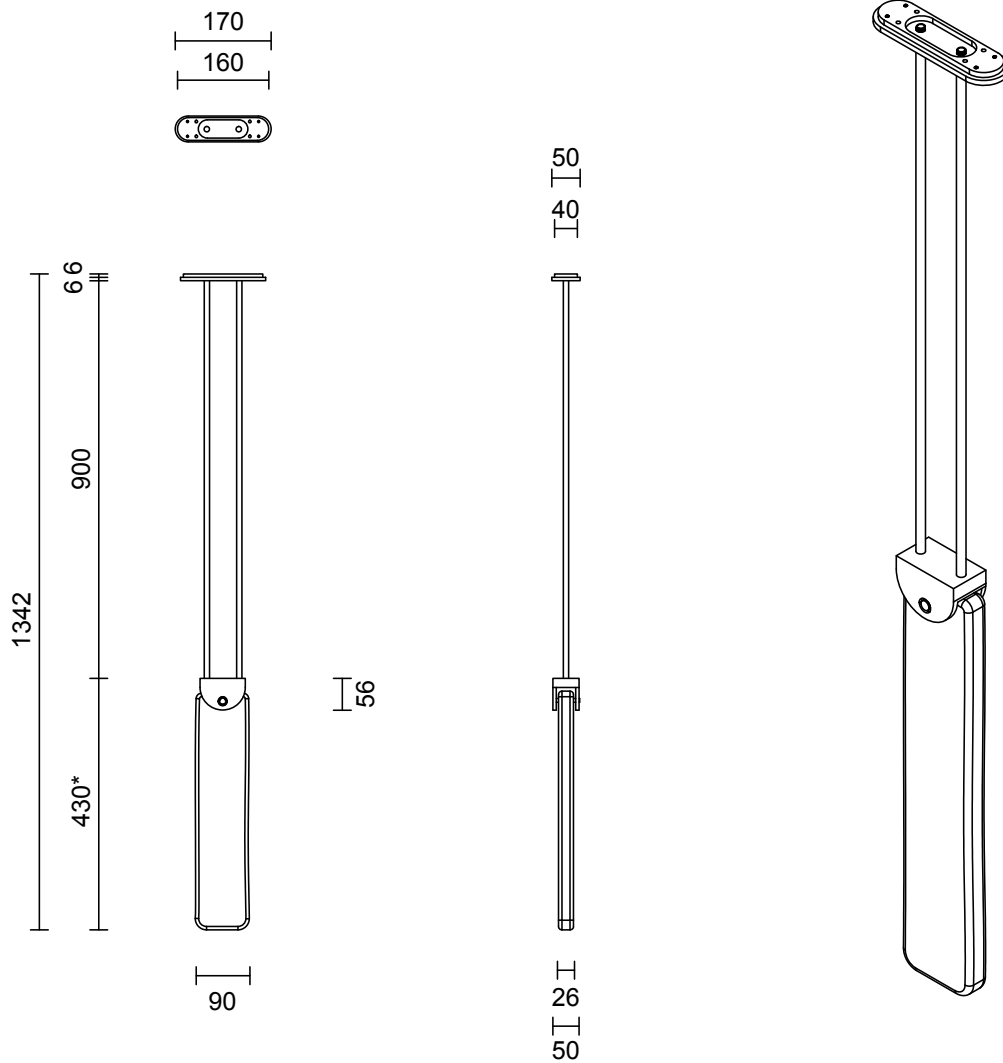
PENDANT



# SLAB COLLECTION

ARTICOLOSTUDIOS.COM

## PENDANT



23V2

### ABOUT SLAB

Slab reflects sculptural art forms of wall and ceiling jewellery, with its jewel tone colours elegantly suspended in a solid glass sculptural form.

### LEAD TIME

6 - 8 weeks

### LIGHT SOURCE

4.25W CC LED Board 0.5A  
2700k warm white  
400 lumens  
Dimmable

### INSTALLATION

Supplied with external driver

### ROD LENGTH

Rod lengths range between 600mm - 1200mm, in increments of 100mm.

### WEIGHT

5kg

### CERTIFICATION

CE/AU

### WARRANTY

3 years

### FITTING FINISH

Brass  
Mid Bronze  
Satin Nickel  
Black Electroplate

### SHADE COLOURS

Fizi  
Grey  
Drunken Emerald  
Tea  
Abyss

\*Please note: Shade dimensions inclusive of overall height may vary marginally due to the nature of mouth blown glass.

