

SLIM COLLECTION

PENDANT

SPECIFICATION SHEET

AUSTRALIA / INTERNATIONAL



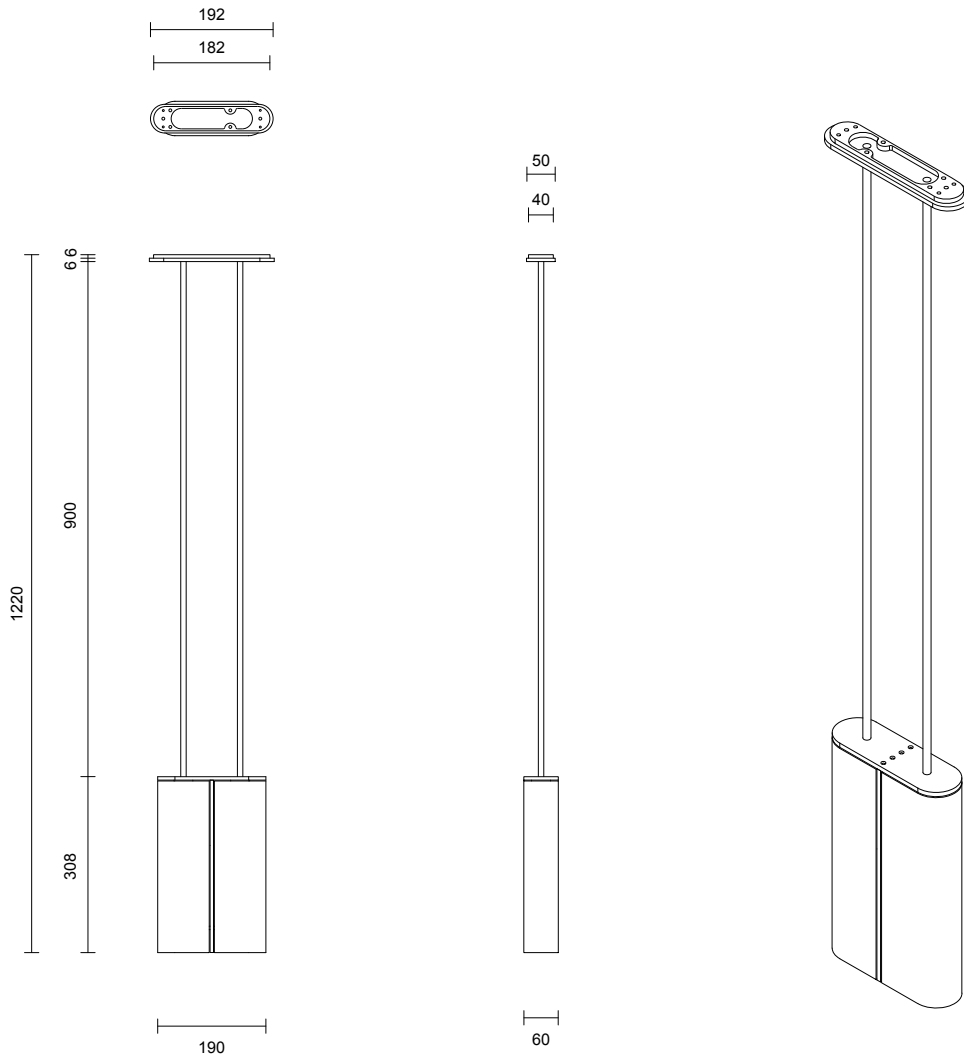
ARTICOLO

SLIM COLLECTION

PENDANT

SPECIFICATION SHEET

AUSTRALIA / INTERNATIONAL



SL_P_AU_22V2

ABOUT SLIM

Inspired by the sophisticated high life depicted in Slim Aaron's famed Palm Springs photography, 'Slim' reinterprets mid-century Californian modernism in architectural form and refined simplicity. The arresting restraint of Slim evokes effortless glamour. Its light source is housed within an elongated arch of mouth blown glass and framed in hand finished metalwork by local artisan's.

LEAD TIME

6 - 8 weeks

LIGHT SOURCE

2 x 4.2W LED Board 350mA CC
2700k warm white
800 total lumen output
Dimmable

INSTALLATION

Supplied with external driver

ROD LENGTH

Rod lengths range between 600mm - 1300mm, in increments of 100mm.

WEIGHT

5kg

FITTING FINISHES

Brass
Mid Bronze
Satin Nickel
Black Electroplate

SHADE COLOURS

Snow
White Gloss
Grey
Clear
Natural Porcelain
Grey Porcelain
Black Porcelain

CERTIFICATION

CE/AU

WARRANTY

3 years