

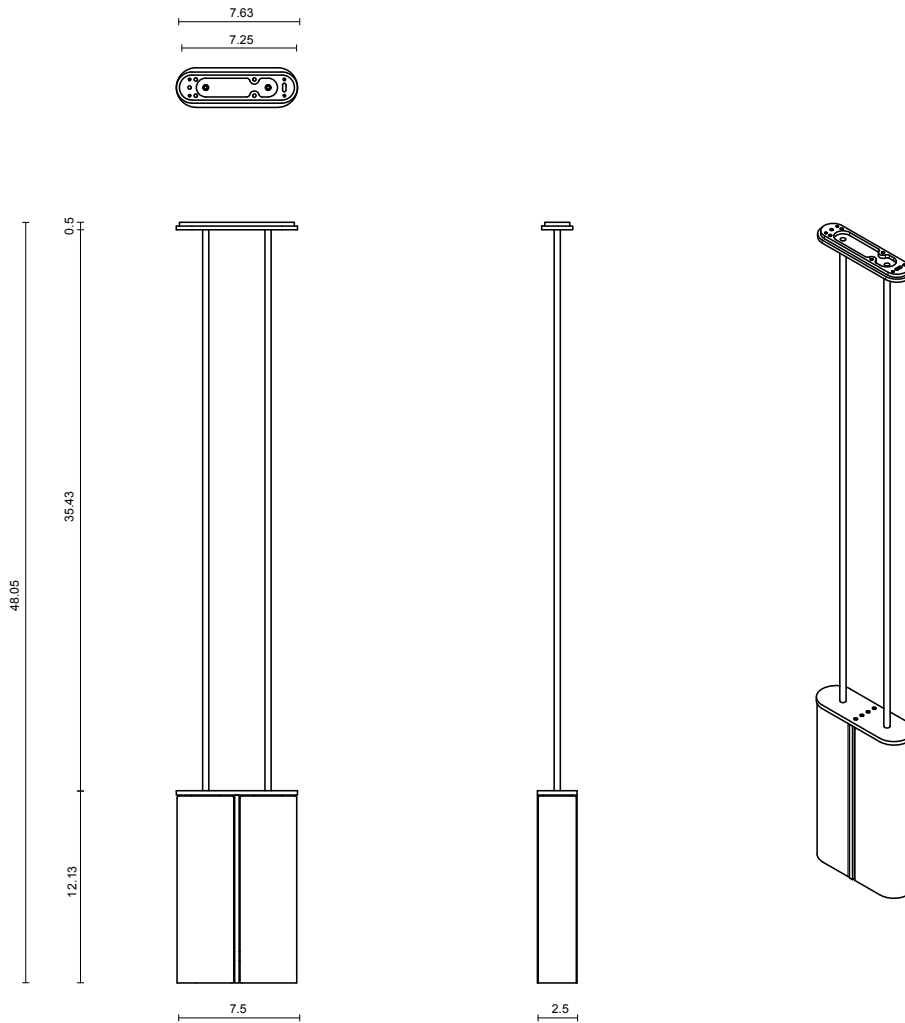
SLIM COLLECTION
PENDANT



SLIM COLLECTION

PENDANT

ARTICOLOSTUDIOS.COM



25V2

ABOUT SLIM

Slim reinterprets mid-century modernism in its architectural form and refined simplicity.

LEAD TIME

8 - 10 weeks

LIGHT SOURCE

2 x 4.2W LED Board 350mA CC
2700k warm white
800 total lumen output
Dimmable

INSTALLATION

Supplied with external driver and mounting plate to fit 4.0 square Jbox

ROD LENGTH

Rod lengths range between 23.6" (600mm) - 47.25" (1200mm), in increments of 3.94" (100mm)

WEIGHT

11.5 lb

CERTIFICATION STANDARD

UL

WARRANTY

3 years

FITTING FINISHES

Brass
Bronze*
Satin Nickel
Black Electroplate

*As Bronze is a hand applied finish, the depth of colour will vary

SHADE COLOURS

Snow
Grey
Clear
Natural Porcelain
Grey Porcelain
Black Porcelain

