

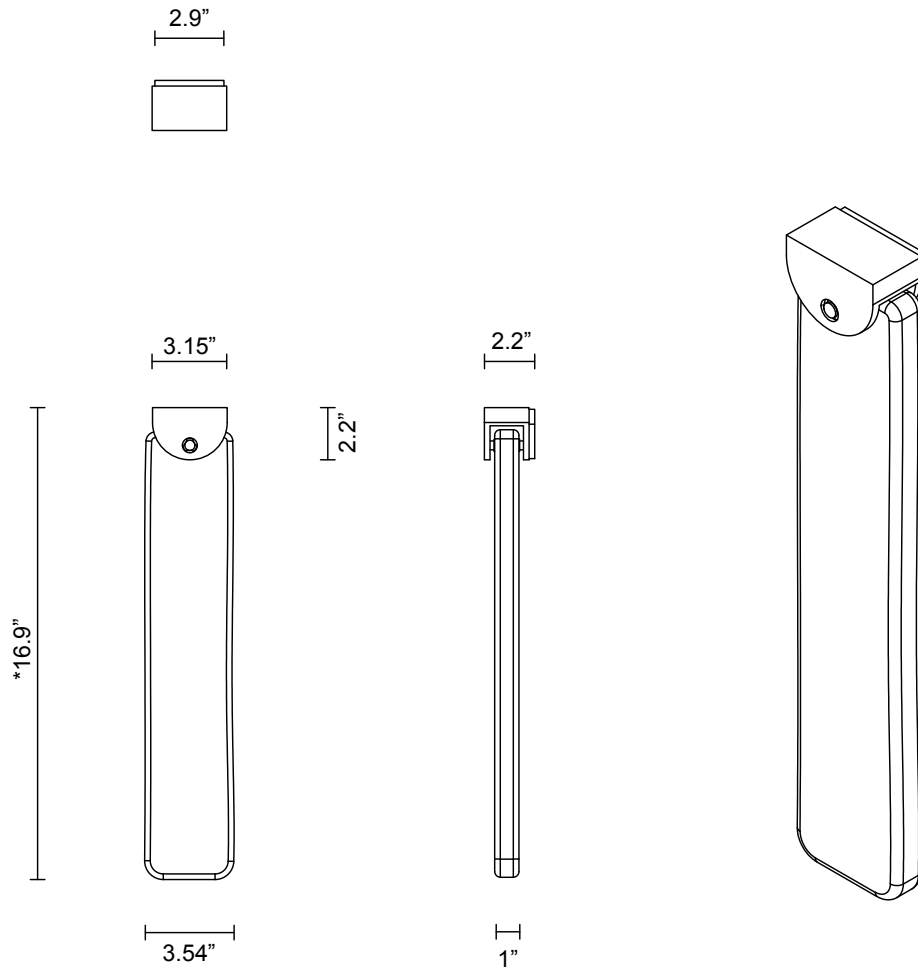
SLAB COLLECTION
WALL SCONCE



SLAB COLLECTION

ARTICOLOSTUDIOS.COM

WALL SCONCE



23V2

ABOUT SLAB

Slab reflects sculptural art forms of wall and ceiling jewellery, with its jewel tone colours elegantly suspended in a solid glass sculptural form.

LEAD TIME

8 - 10 weeks

LIGHT SOURCE

4.25W CC LED Board 0.5A
2700k warm white
400 lumens
Dimmable

INSTALLATION

Supplied with external driver

WEIGHT

11.5 lb

CERTIFICATION

US/ETL/CA

WARRANTY

3 years

FITTING FINISH

Brass
Mid Bronze
Satin Nickel
Black Electroplate

SHADE COLOURS

Fizi
Grey
Drunken Emerald
Tea
Abyss

*Please note: Shade dimensions inclusive of overall height may vary marginally due to the nature of mouth blown glass.

