

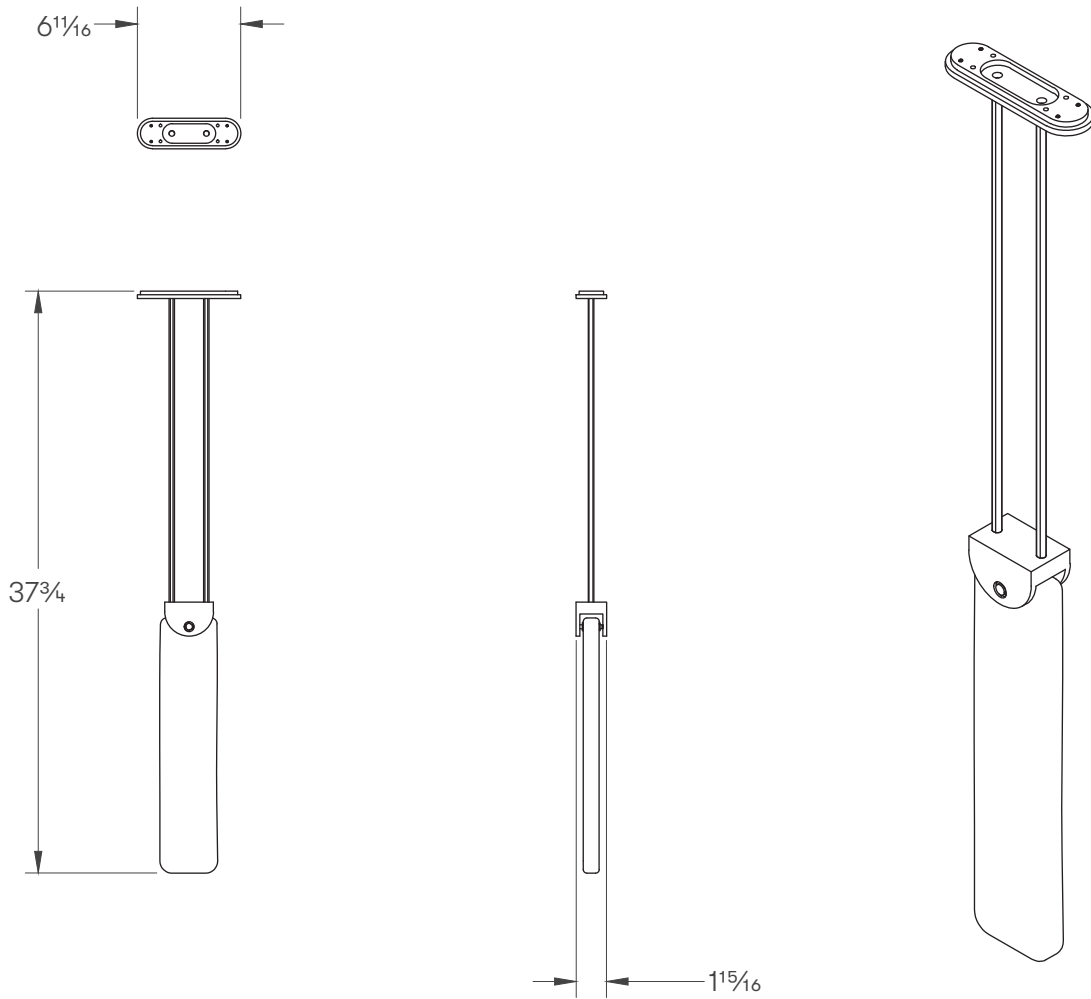
SLAB COLLECTION
PENDANT



SLAB COLLECTION

ARTICOLOSTUDIOS.COM

PENDANT



26V1

ABOUT SLAB

Slab reflects sculptural art forms of wall and ceiling jewellery, with its jewel tone colours elegantly suspended in a solid glass sculptural form.

METAL FINISHES



SPECIFICATION SHEET *North America*

LEAD TIME

8 - 10 weeks

LIGHT SOURCE

4.3W LED board
400 lumens
2700k warm white
90+ CRI
Dimmable

WEIGHT

11.5 lb

INSTALLATION

Supplied with an external driver

CERTIFICATION

UL

WARRANTY

3 years

FITTING FINISHES

Brass
Bronze*
Satin Nickel
Black Electroplate
* As Bronze is a hand applied finish the depth of colour will vary

SHADE COLOURS

Fizi
Grey
Drunken Emerald
Tea
Abyss

