

INDI COLLECTION
EXTRA LARGE PENDANT

SPECIFICATION SHEET
NORTH AMERICA



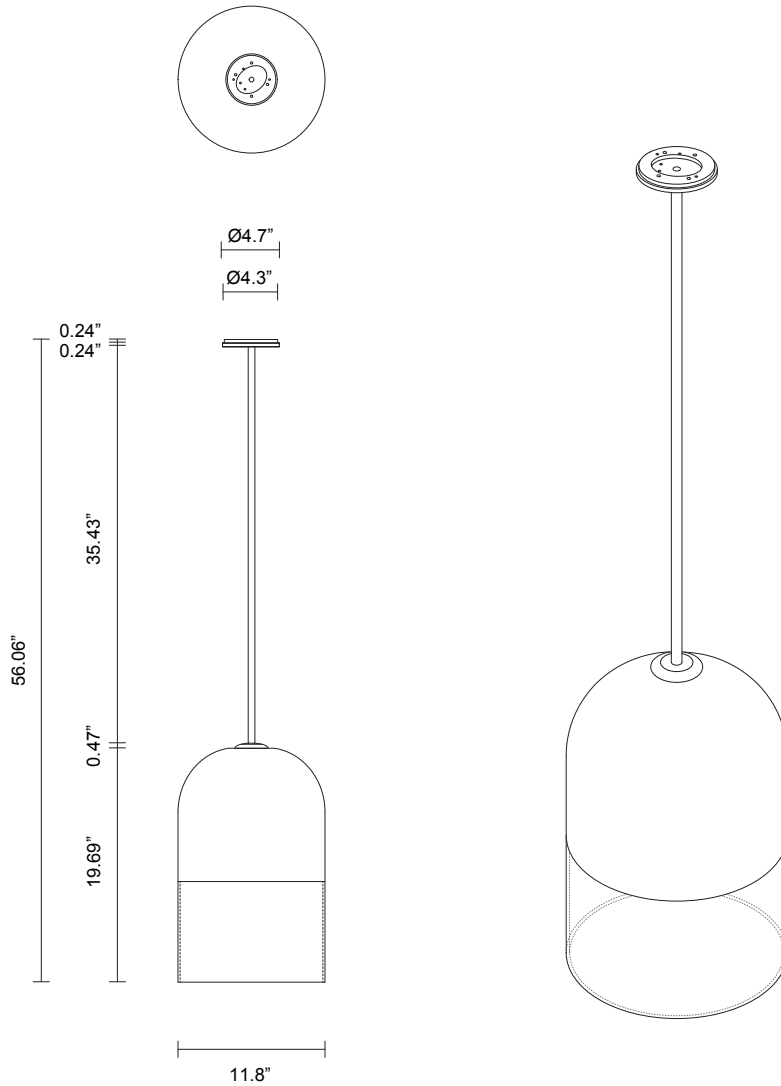
ARTICOLO

INDI COLLECTION

EXTRA LARGE PENDANT

SPECIFICATION SHEET

NORTH AMERICA



IN_XLP_UL_22V1

ABOUT INDI

Artisans hands move gracefully; weaving lineal lines with considered precision to create the intrinsic Indi Collection. The textured weaving gives a tactile physicality achieved through careful craftsmanship. Indi is a celebration of historic handicrafts meeting contemporary design and modernisation.

* All weave colours available individually or in a 2/3 split combination.

LEAD TIME

8 - 10 weeks

LIGHT SOURCE

120V E26 9W LED
2700k warm white
800 lumens
Dimmable
Lamp included

INSTALLATION

Supplied with mounting plate to fit 4.0/3.5 Jbox

ROD LENGTH

Rod lengths range between 15.75" (400mm) - 63" (1600mm), in increments of 3.94" (100mm).

WEIGHT

17.6 lb

FITTING FINISHES

Brass
Mid Bronze
Satin Nickel
Black Electroplate
White Powder Coat
Graphite Powder Coat

SHADE COLOURS

Clear

WEAVE COLOURS*

Black
Natural
Sand
White
Teal
Olive

CERTIFICATION

US/ETL/CA

WARRANTY

3 years