

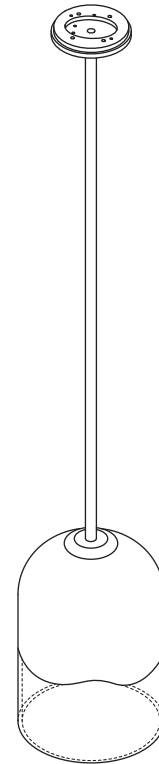
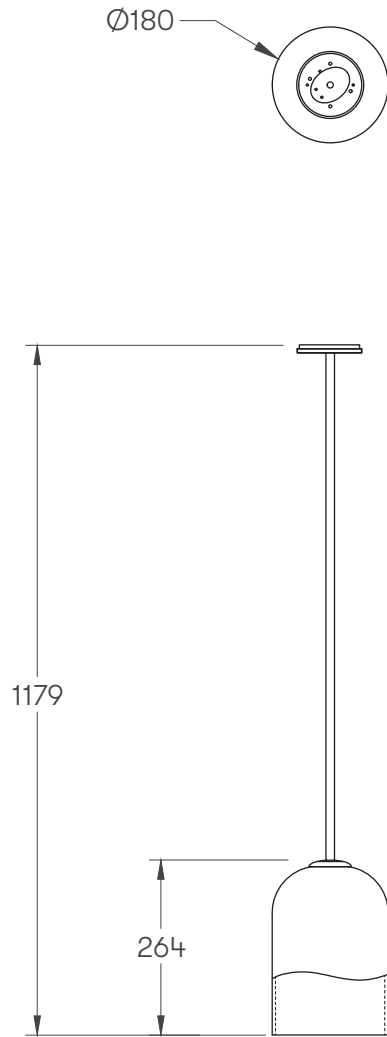
MONI COLLECTION  
LARGE SINGLE PENDANT



# MONI COLLECTION

## LARGE SINGLE PENDANT

ARTICOLOSTUDIOS.COM

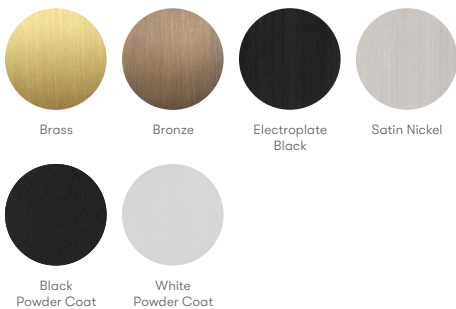


26V1

### ABOUT MONI

Moni is defined by its fluid form created using a handcrafted artisanal technique refined over generations.

### METAL FINISHES



### LEAD TIME

6 - 8 weeks

### LIGHT SOURCE

200-240V  
4W E14 G45 LED bulb  
400 lumens  
2700k warm white  
90+ CRI  
Dimmable lamp included

### WEIGHT

6 kg

### INSTALLATION

Supplied with an external driver

### CERTIFICATION

CE/AU

### WARRANTY

3 years

### FITTING FINISHES

Brass  
Bronze  
Black Electroplate  
White Powder Coat

### SHADE COLOURS

Clear and White

