

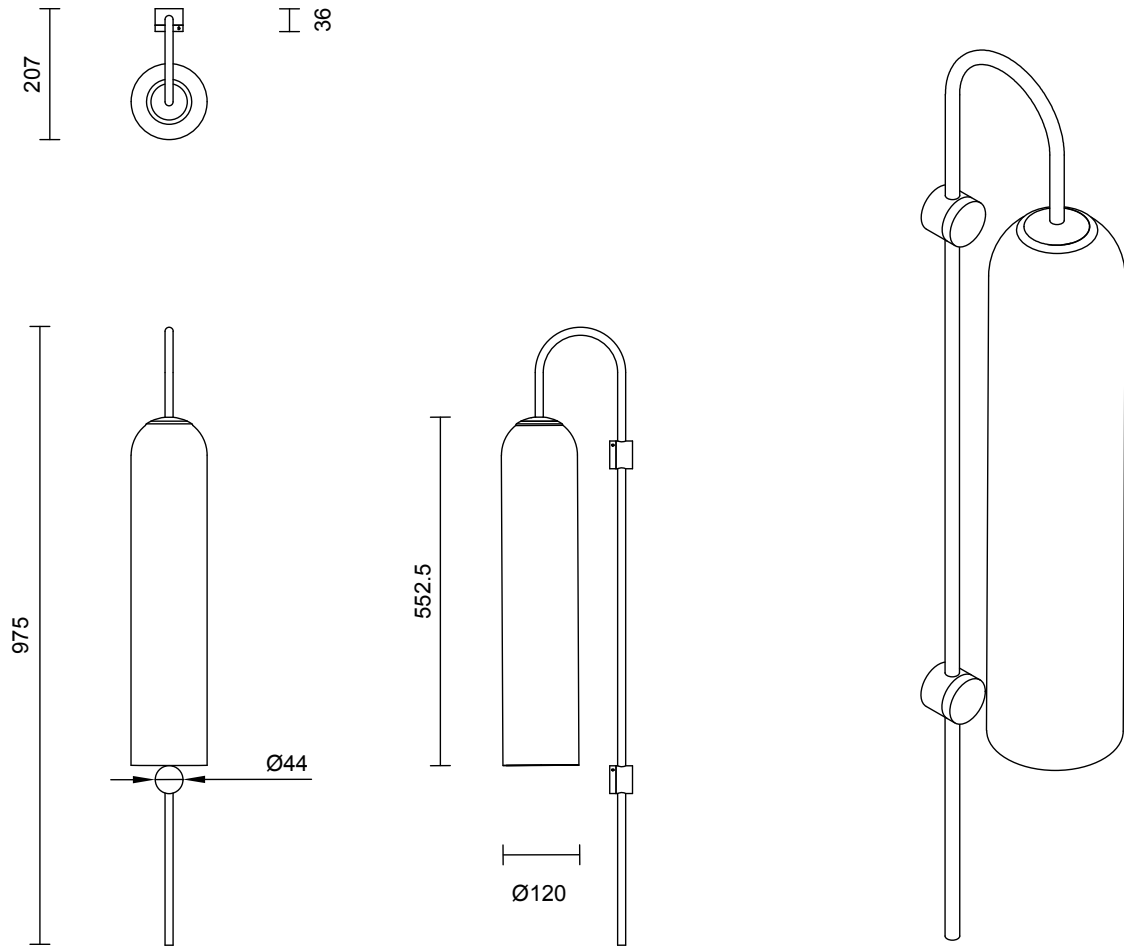
FLOAT COLLECTION
GLIDE WALL SCONCE



FLOAT COLLECTION

GLIDE WALL SCONCE

ARTICOLOSTUDIOS.COM



23V2

ABOUT FLOAT

Float evokes an inherent sense of refinement through its design cues of a bygone era.

LEAD TIME

6 - 8 weeks

LIGHT SOURCE

240V GU10 7W LED 35°
3000K warm white
500 lumens
Dimmable
Lamp included

WEIGHT

5kg

CERTIFICATION

CE/AU

WARRANTY

3 years

FITTING FINISHES

Brass
Mid Bronze
Satin Nickel
Black Electroplate

SHADE COLOURS

Snow
Smoke
Grey
Clear

